

HS-SL300



## Product Features

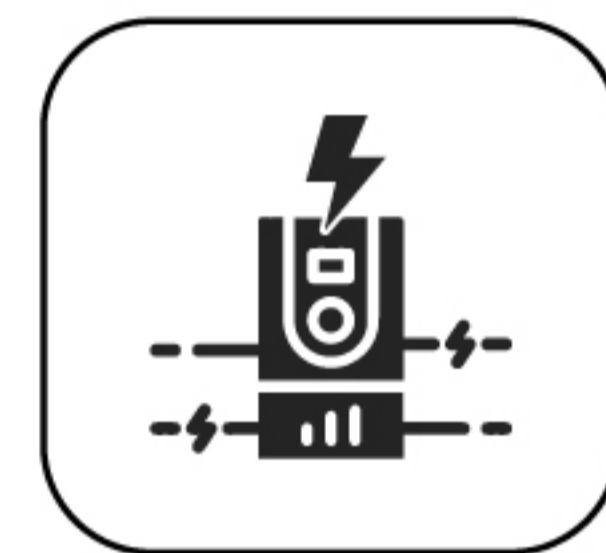
- > Quick and easy to install
- > Made of aluminium alloy
- > Mob Application- Hifocus App
- > Fingerprint/ Password/ RFID card unlock
- > Door bell function
- > Touch screen keypad
- > Waterproof seals for electronic components protection
- > Low battery Alarming
- > Outer-emergent power supply opening function
- > LED backlit keypad for use in low light



FINGERPRINT



WIFI



EMERGENCY  
POWER SUPPLY



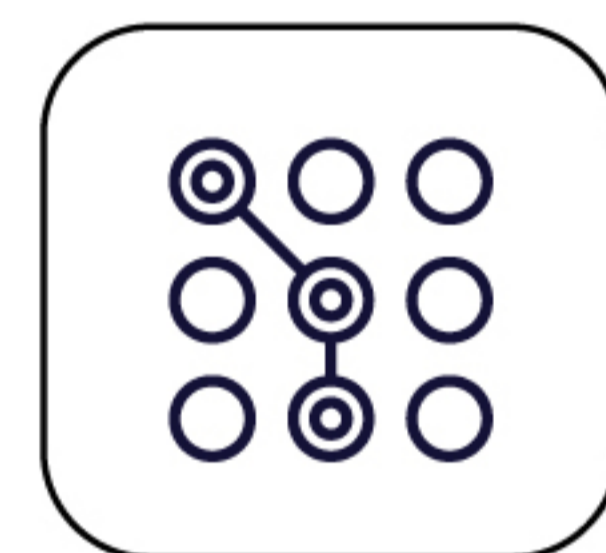
IC-CARD



VOICE PROMPT



MECHANICAL  
KEY



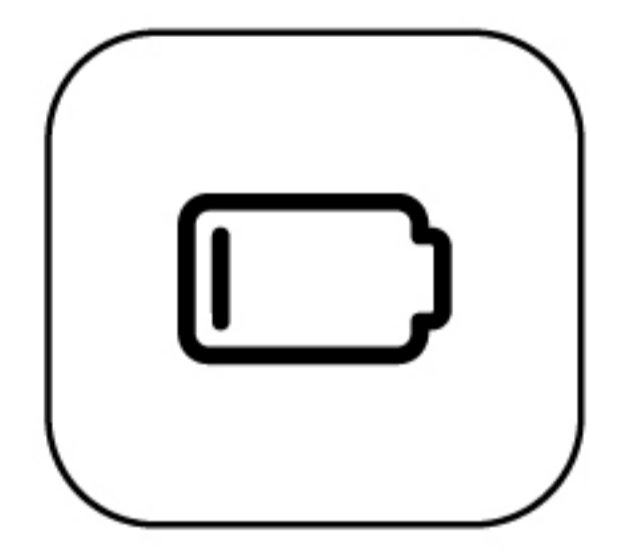
PIN



APP UNLOCK



OTP UNLOCK

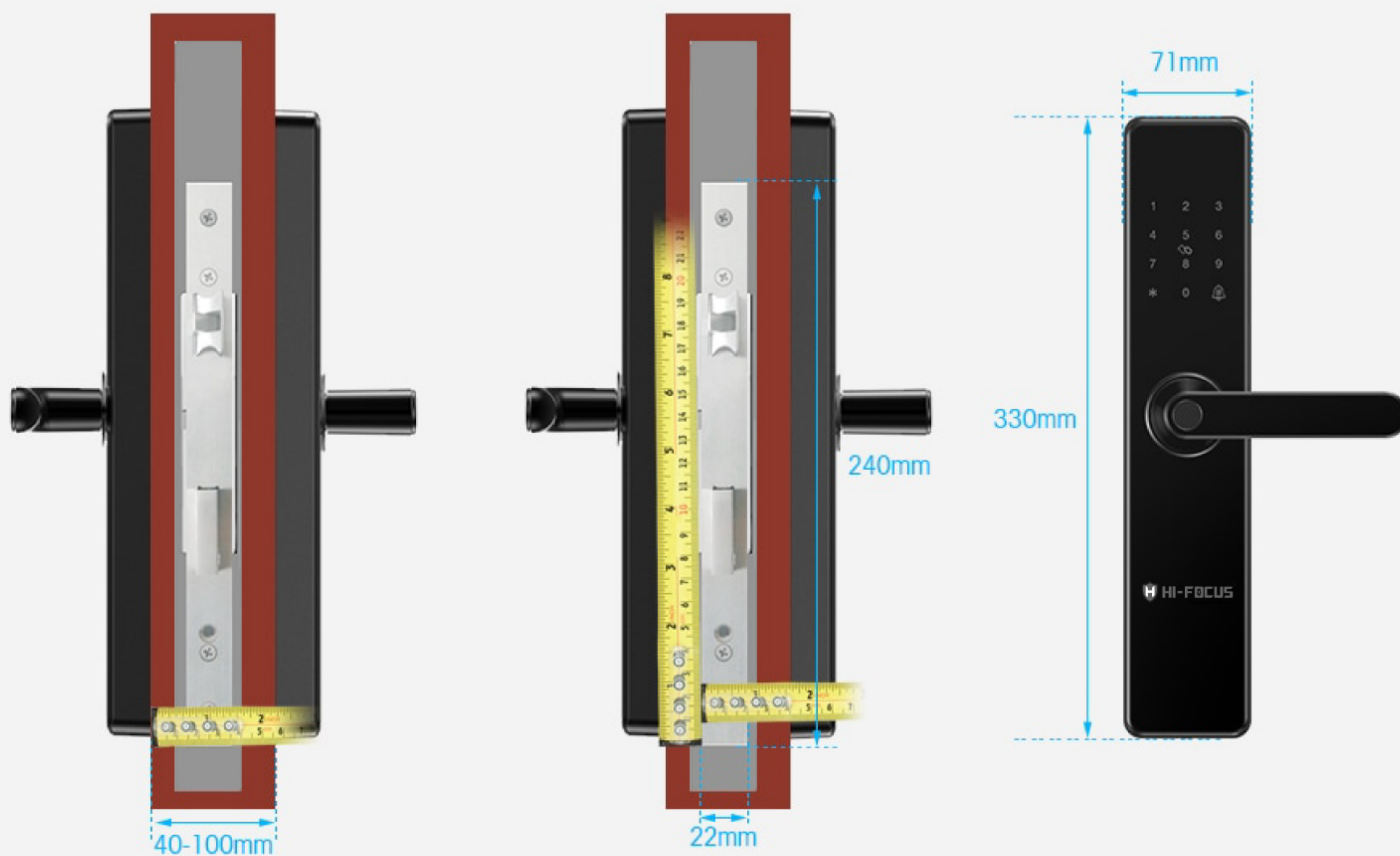


Low Battery  
Warning



Material	aluminium alloy
Color	Black
Unlock Method	APP/Fingerprint/code/card/key
APP Name	Hi-Focus
LifeHandle Direction	Adjustable Door
Thickness	40-100mm
Interface	Micro USB/Mechanical Key
APPlication	Wooden Door/Metal Door
Waterproof	IP65
power Supply	DC6V 4*AA Alkaline Batteries

② Please measure the door thickness and lock size  
 Make sure the size of lock and internal lock cylinder





## 5 Unlock ways

*NOT being locked outside anymore*



## Intelligent living as you want

*Using Finger Patent Technology, SL300 smart lock displays noble living.*



*Hotel Lock*



*Apartment Lock*



*Residence Lock*



**Fingerprint recognition unlock in 0.3 second**

One touch to open the door. Supports up to 100 fingerprints.

0.3 second | 100 fingerprints



**Mobile App to unlock in remote**

No gateway needed, just connected the lock with your mobile. Open the door for your friends while you're out of home.

Remote unlock for



Visitors



Attendant



Cleaner



Relatives



**Hostile attack alarm**

*if the smart lock encounter a hostile attack the system will alarm automatically.*



### **Prevent others peep at your password**

*Arbitrary input numbers before and after the correct code.  
The people beside you won't know your correct code.*

### **Lock direction**

*Please check the opening direction of your door to choose the proper one.*

