

HC-IPC-SD3820SR



Product Features

- 8MP H.265 full real time coding
- Up to 8MP (4096x2160),30fps
- 45x optical zoom, 16x digital zoom
- Smart IR, up to 300m IR distance
- 120dB True WDR
- 3D DNR, true WDR, HLC, BLC, Defog, Smart IR and ROI coding
- Smarth.265, H.265, ONVIF
- Support three streams
- Built-in micro-SD card slot; up to 256GB
- Support 1/1 audio in/out, 1/1 alarm in/out,
- Smart Deep Learning EngineV1 and P2P function optional
- Intelligent analytics: Smart tracking of human/vehicle, Perimeter Protection, Target Counting, Exception Detection, Face Detection, etc.
- DC12V/PoE power supply
- Support remote monitoring by smart phones & tablet PCs with iOS and Android OS
- PoE++ and DC/AC24V
- IP67, IK10
- 6 KV surge protection designed for network interface



An ISO 9001:2008 Certified Company

Specifications:

CAMERA

Sensor	1/1.8", progressive scan,8.0 megapixel, CMOS
Lens	5.2~234mm lens, 45x optical
Angle of view(H)	59.8°~2.3°
Angle of view(V)	33.6°~1.3°
Shutter Speed	Auto/Manual, 1/30~1/100000 s
Day/Night	IR-cut filter with auto switch (ICR)
Mi. Illumination	Color: 0.001 Lux (F1.4, AGC ON) 0 Lux with IR
Aperture range	F1.2 ~ F4.5 (wide-tele), P-Iris, 210 steps
IR	300m (984 ft)
S/N	> 52dB
WDR	120dB
AWB (Auto white balance)	Auto/Natural/Street Lamp/Outdoor/Manual
Digital zoom	16x
Noise Reduction	2D/3D DNR
HLC	Supported
BLC	Supported
EIS	Supported
Defog	Digital Defog
Image Config	Flip, Mirror, Saturation, Brightness, Contrast, Sharpness, AGC, and AWB adjusted by client software/browser
LOGO Overlay	Logo picture could be overlaid on video with 128x128pixels,24bits BMP format

VIDEO

Video Compression	Smart H.265, H.265+, H.265, H.264, MJPEG
H.264 code profile	Baseline profile, Main Profile, High Profile
Audio Compression	G.711
Frame Rate	Main Stream: 4096× 2160, 3840× 2160, 2560× 1440, 2048× 1536, 1920× 1080,1280× 720(25/30fps)



An ISO 9001:2008 Certified Company

Video Bit Rate	Sub Stream: 1MP(720P) Max. 30 fps; Third Stream:D1 (720×576): Max. 30 fps
OSD	128Kbps-8Mbps
Motion Detection	Supported
ROI	Supported
Privacy Mask	Supported

PAN&TILT

Pan Range	360° (endless)
Pan Speed	0.1°/s ~ 300°/s Preset speed: 300°/s
Tilt Range	-20° ~ +90° (auto reverse)
Tilt Speed	0.1° ~ 150°/s Preset speed: 240°/s
Number of Presets	300
Patrol	Up to 8 patrols, up to 16 presets per patrol Note: The total number of patrols and patterns is 16.
Pattern	Up to 4 record Tour, Record time over 3 minutes for each patterns
Scheduled Task	Preset/Patrol/Tour/Random Scan/Boundary Scanning /Dome Reboot
3D Locate	Support

SMART

Image Settings:	Rotate Mode, Saturation, Brightness, Contrast, Sharpness adjustable by client software or web browser
Face recognize /compare	Default off, Max 30 human faces per second
Intelligent Analysis	Intrusion detection, Line crossing detection, Region entrance detection, Region exiting detection, Unattended baggage detection, Object removal detection, Scene change detection, Support alarm



An ISO 9001:2008 Certified Company

General Function

triggering by human or vehicle, filtering flag/animal. (optional)
 Watermark, IP Address Filtering, Tampering Alarm, Access Policy, ARP Protection, User Authentication, heartbeat, Video masking

NETWORK

Protocols

IPv4, IPv6, IGMP, ICMP, ARP, TCP, UDP, DHCP, PPPoE, RTP, RTSP, RTCP, DNS, DDNS, NTP, FTP, UPnP, HTTP, HTTPS, SMTP, 802.1x, SNMP, Bonjour

Security Measures

User authentication (ID and PW), Host authentication (MAC address); HTTPS encryption, IEEE802.1x port-based network access control; IP address filtering

Compatible Integration

ONVIF, API and Third-party management platform

STORAGE

Edge Storage

Micro SD, up to 256 GB

Network Storage

NAS (Network Attached Storage), micro-SD card storage

INTERFACE

Audio I/O

Audio cable

Input: impedance 35 kΩ; amplitude 2 V [p-p]

Output: impedance 600 Ω; amplitude 2 V [p-p]

Alarm I/O

7IN / 2Out , 2IN/10Out PIN

Alarm Linkage

Alarm actions, such as Preset, Cruise, Track, Memory Card Video Record, Trigger Recording, Notify Surveillance Center, Upload to FTP/Memory Card, Send Email, etc.

Serial Port

RS485 Pelco-D / P protocol, custom protocols available

Network

1 RJ45 10M/100MBase-TX Ethernet (Support PoE 802.3.bt,class 7)

Video Output

CVBS output (BNC × 1)

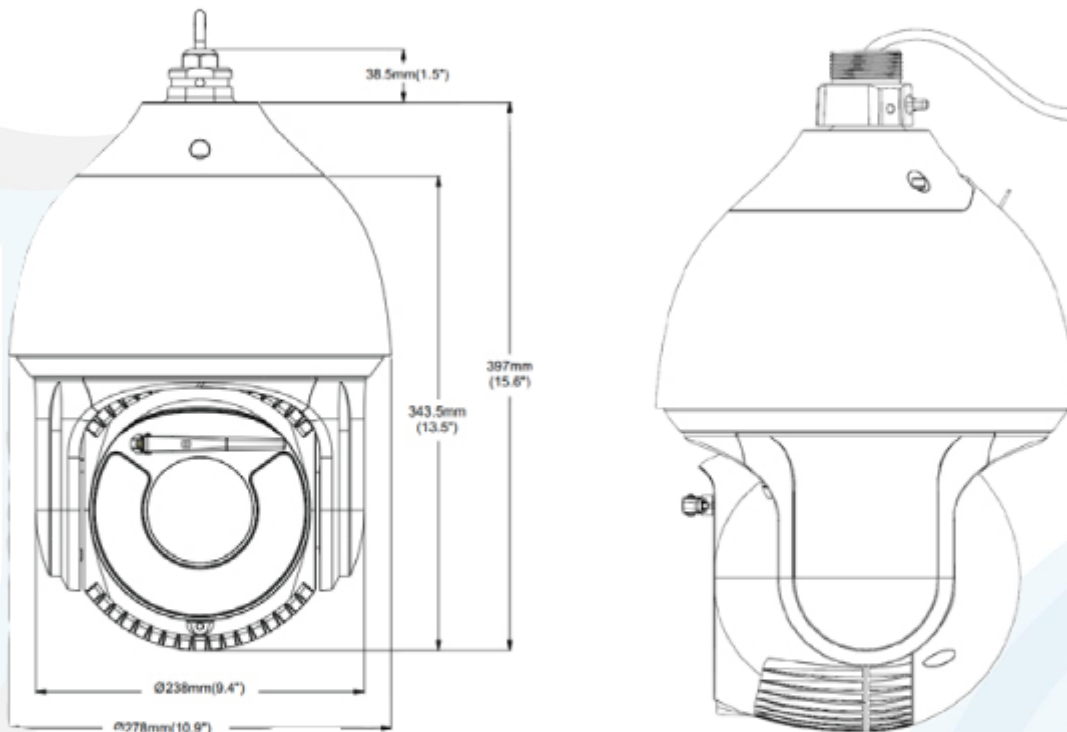


An ISO 9001:2008 Certified Company

GENERAL

Power	AC24V, DC24V, PoE++ (802.3.bt, class 7), (Max 50W, include IR on, Heater on, Fan working)
Working Environment	-40°C ~ +65°C (-40°F ~ 149°F), Humidity: ≤ 95%RH(non-condensing)
Ingress Protection	IP67
Vandal Resistance	IK10
Weight	Approx. 8.8kg
Dimensions (L x W x H)	279.5 x 435 mm
Material	Aluminum Alloy

DIMENSIONS:



An ISO 9001:2008 Certified Company